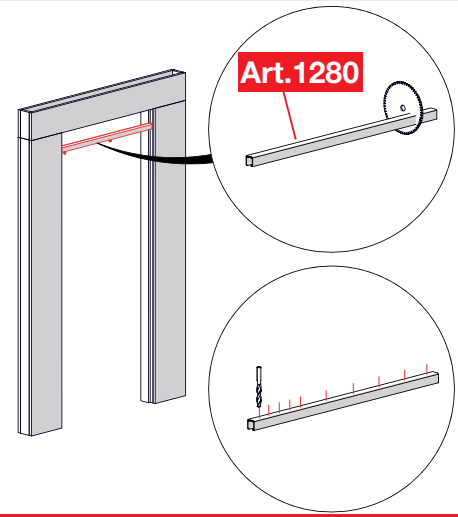


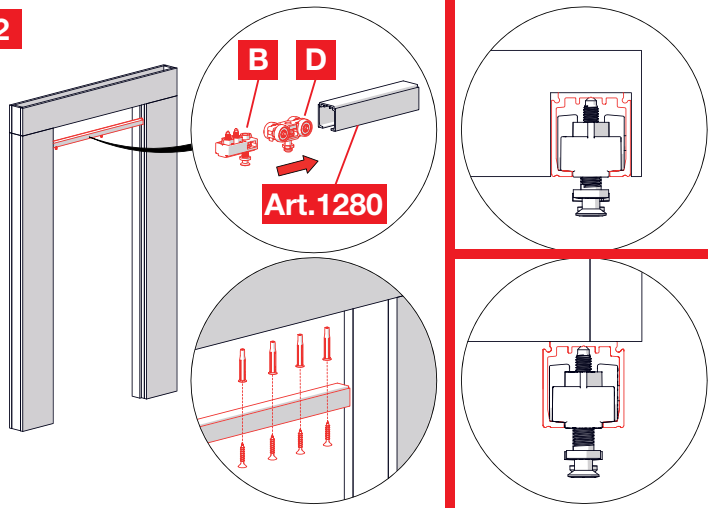


7002.07196 REV.03

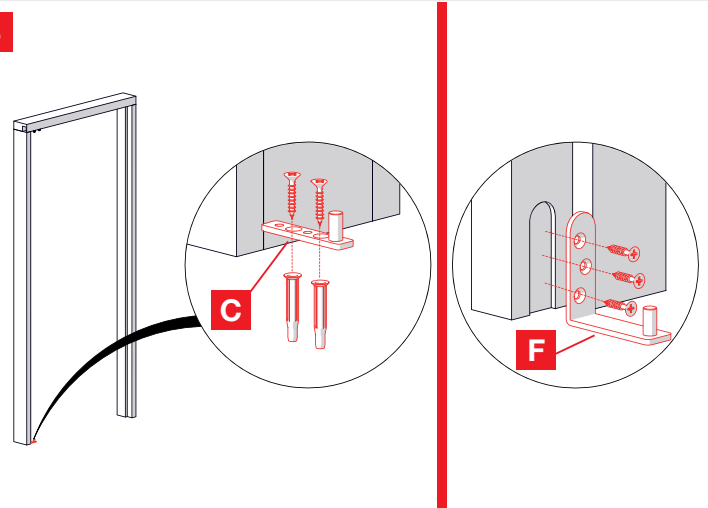
1



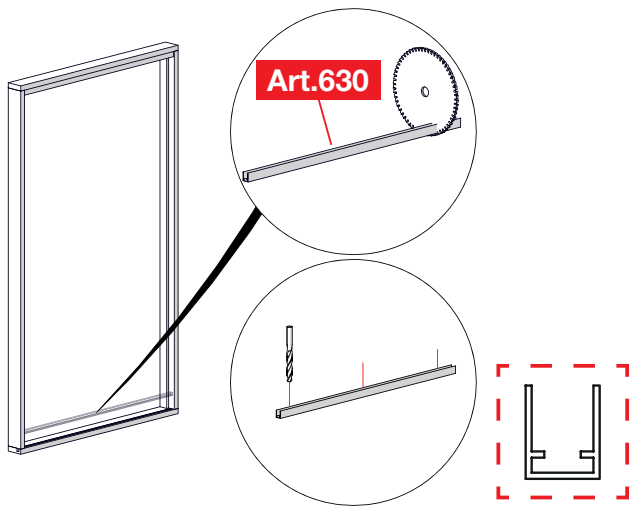
2



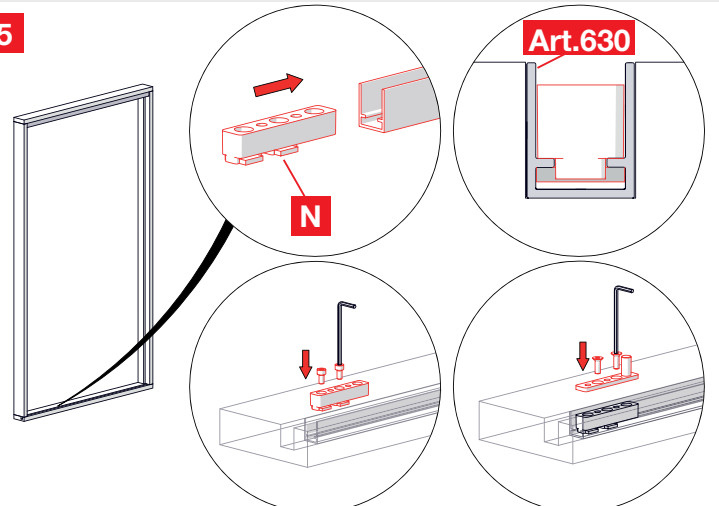
3



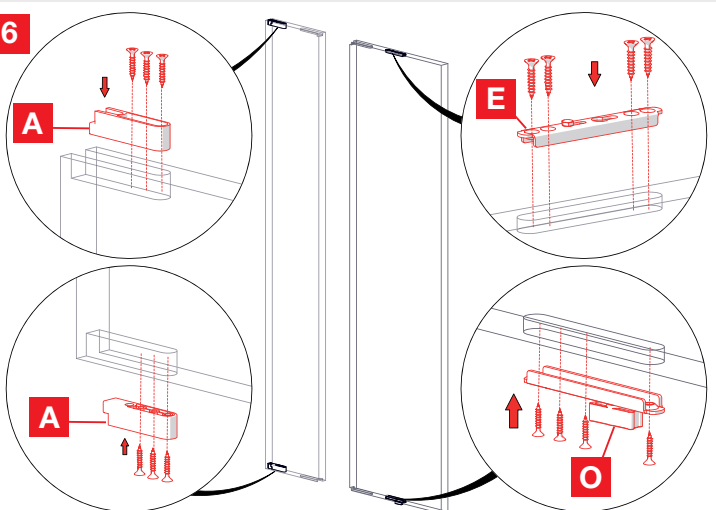
4



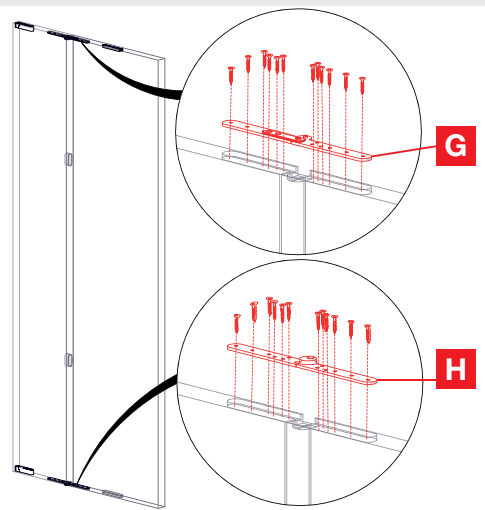
5



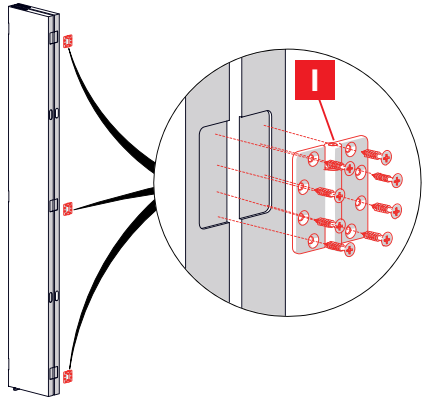
6



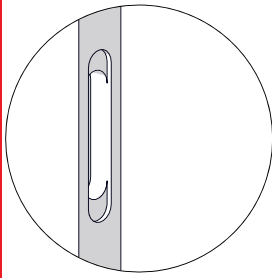
7



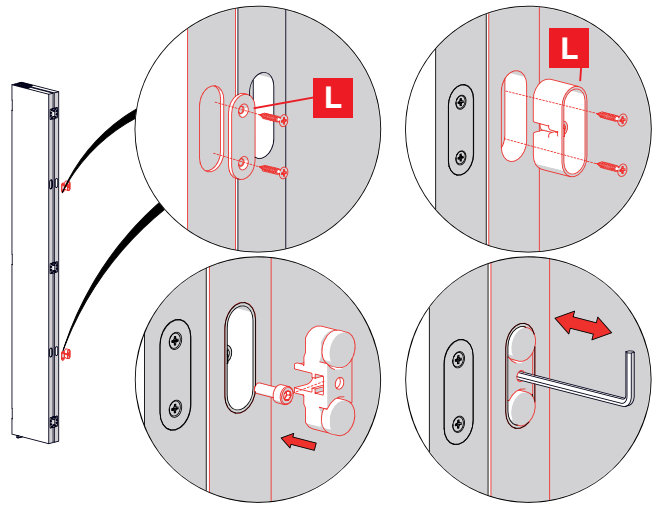
8



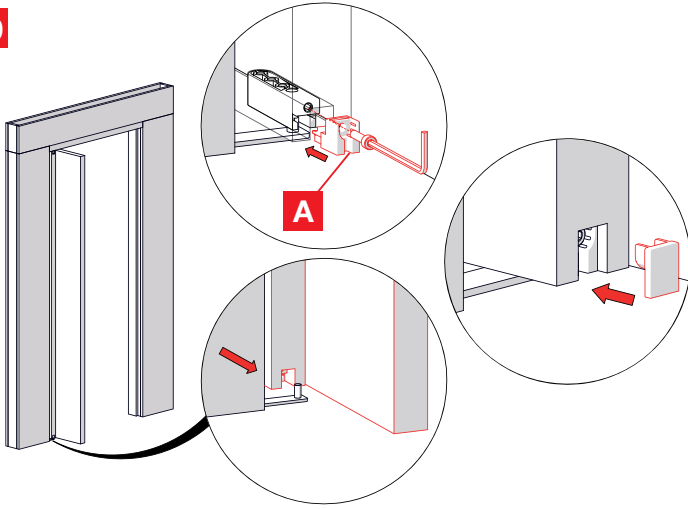
**M** Hinges not included  
Cerniere non incluse



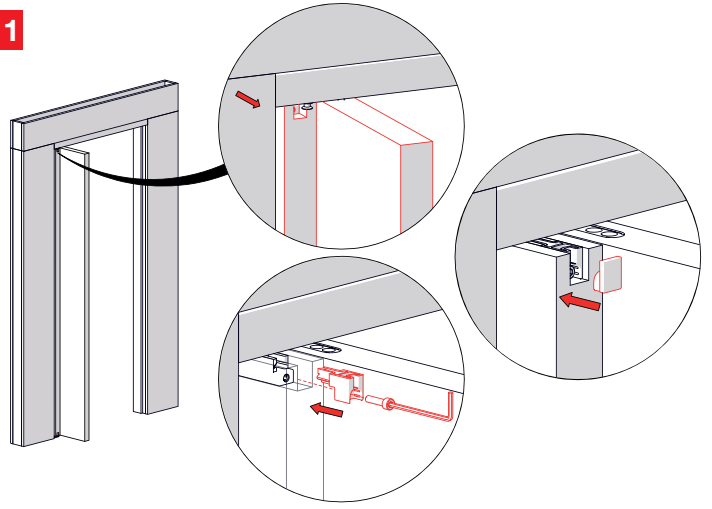
9



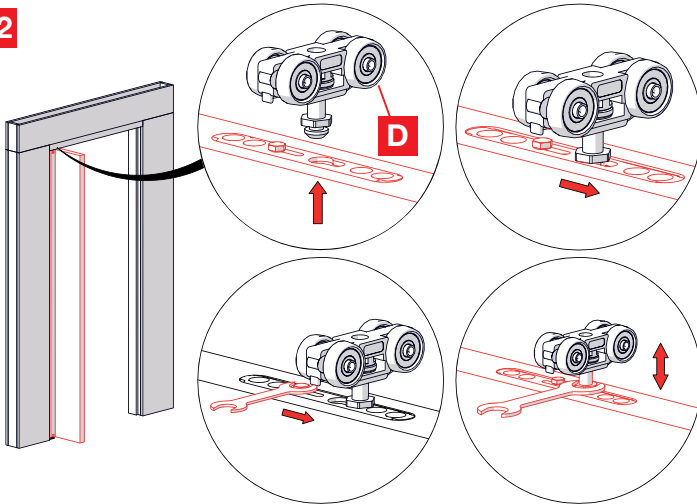
10



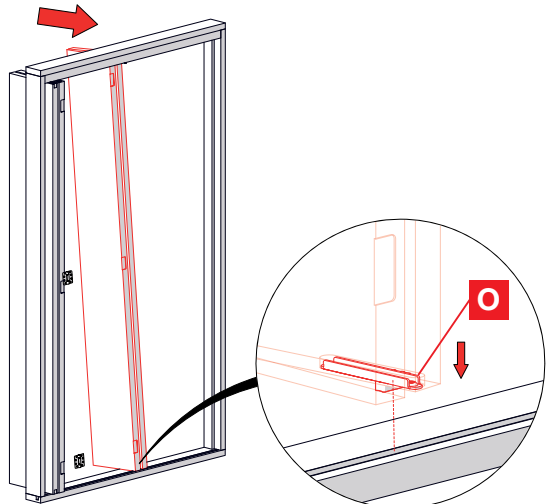
11



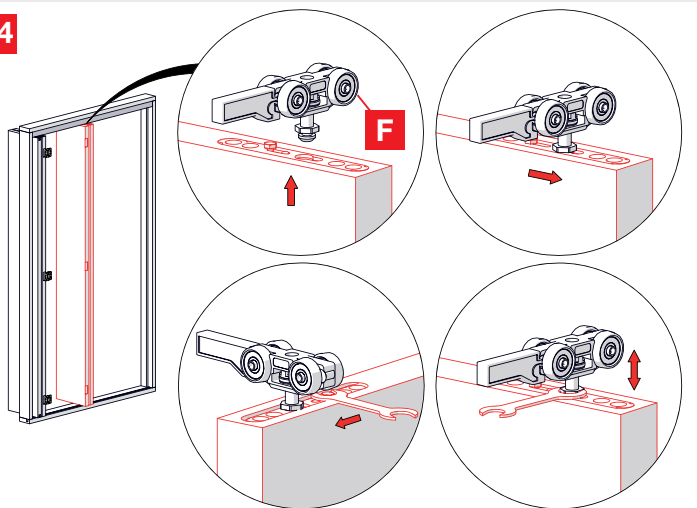
12



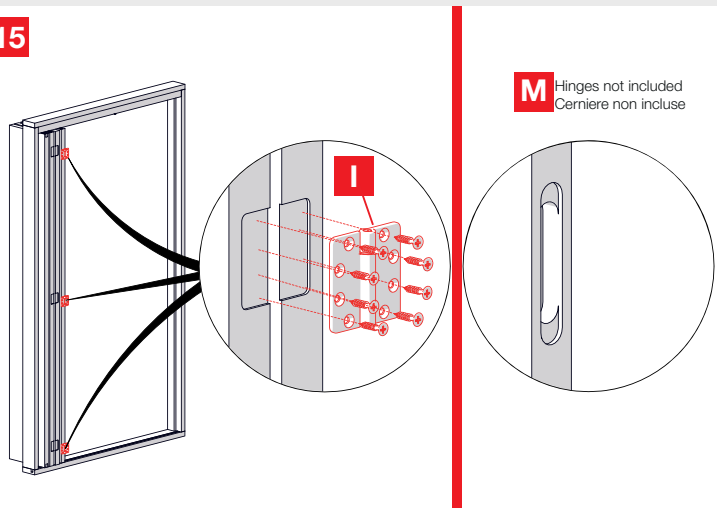
13



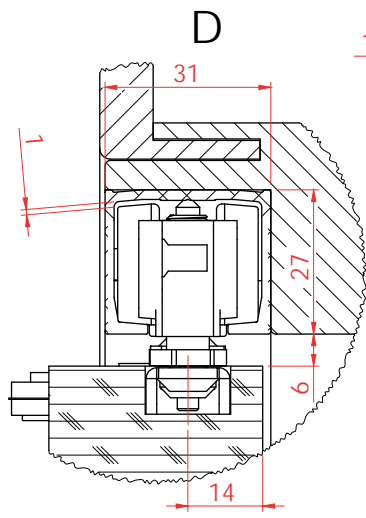
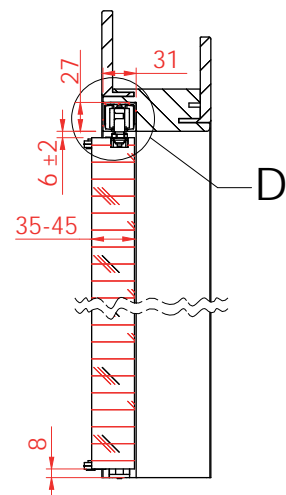
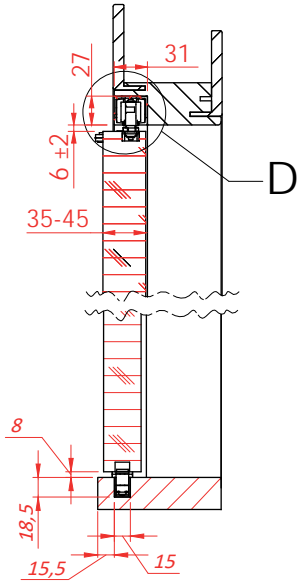
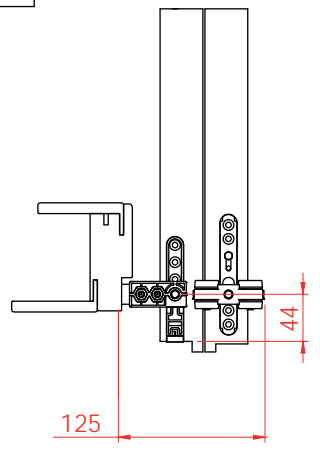
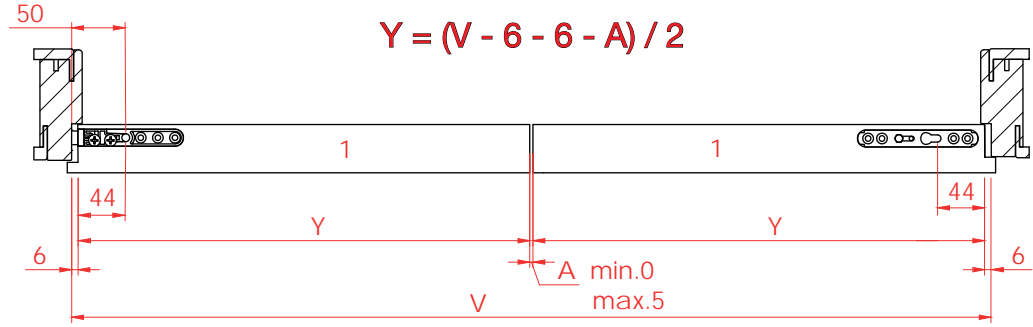
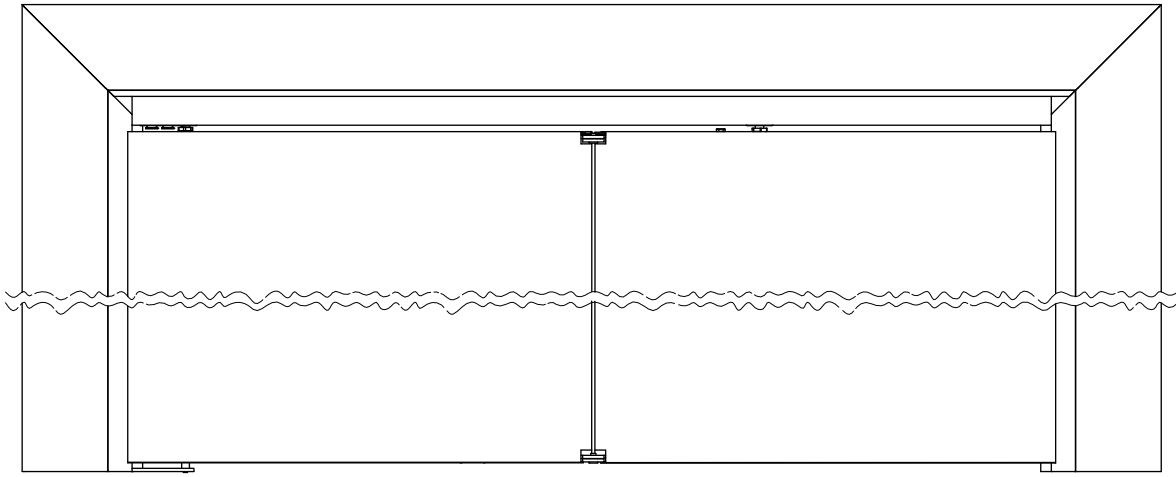
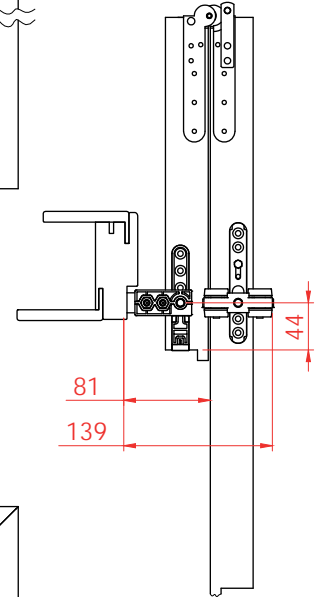
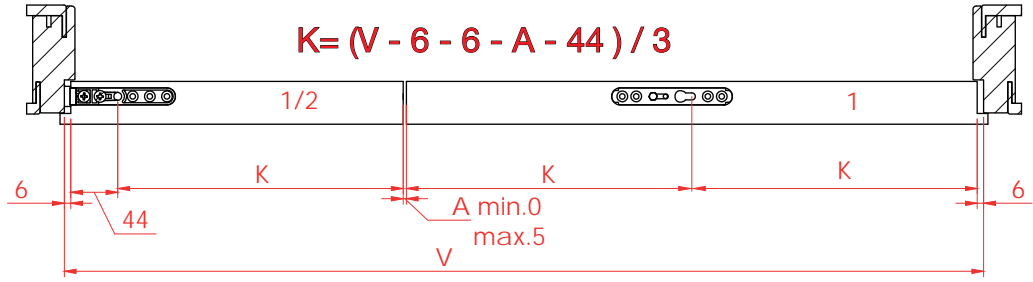
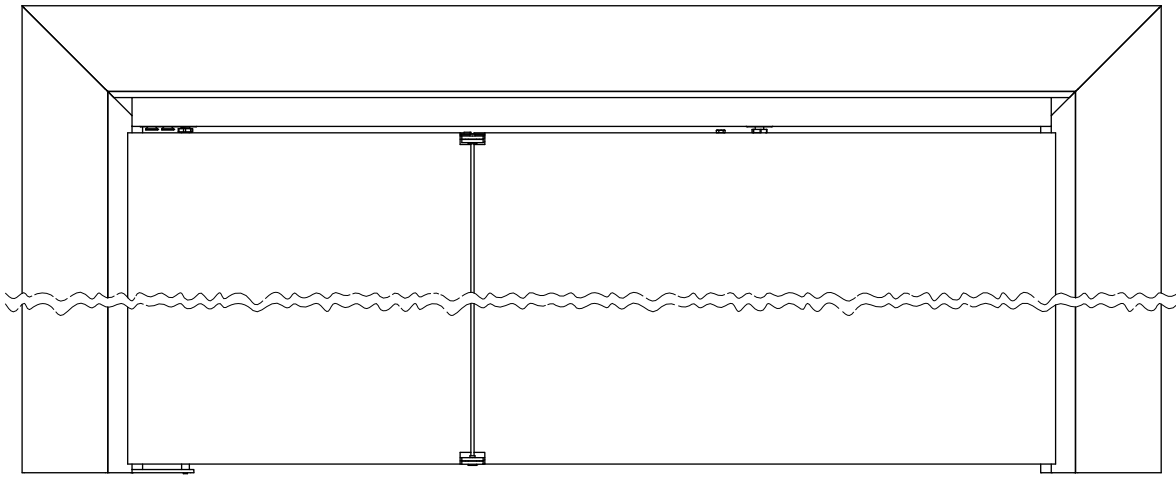
14



15



**M** Hinges not included  
Cerniere non incluse



K.0583.1.5  
K.0584.1.5  
K.0583.2.5  
K.0584.2.5



Art.3137



Art.3147



Art.630

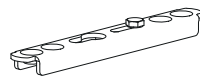


Art.1280



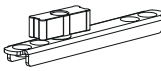
**E**

Art.3145



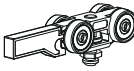
**O**

Art.3146

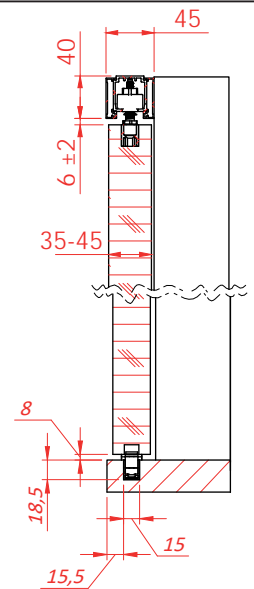
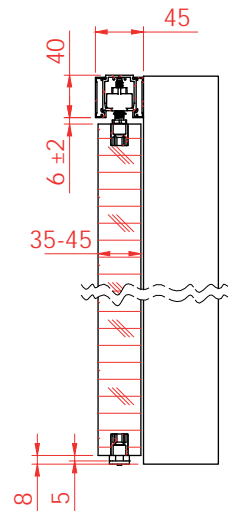
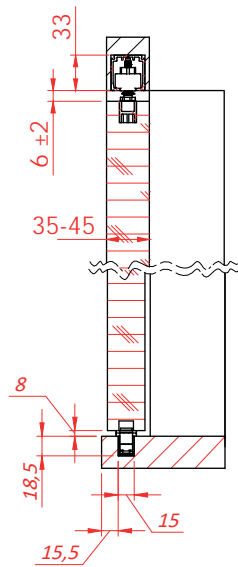
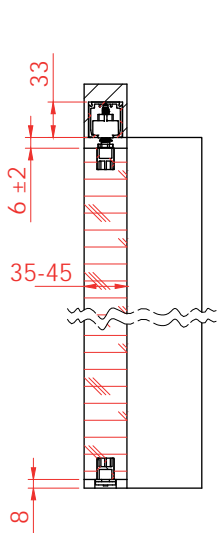
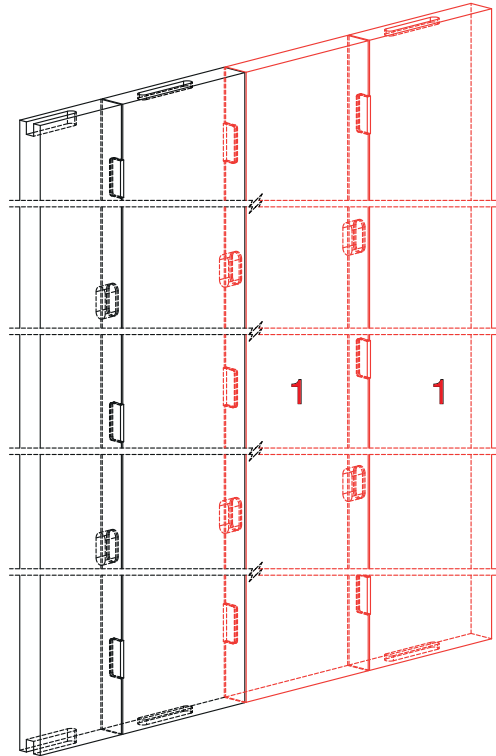


**P**

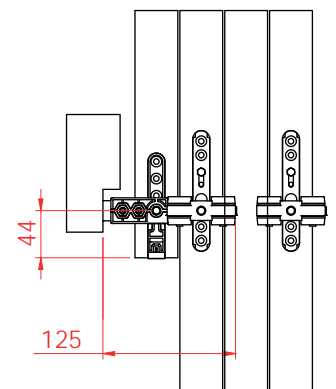
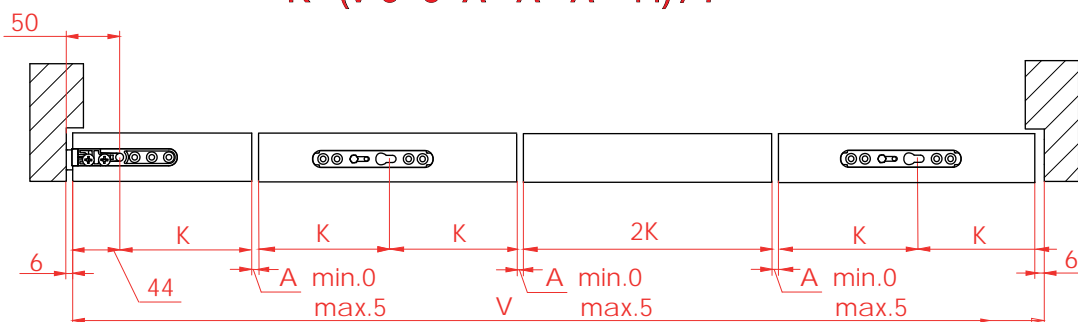
Art.3139



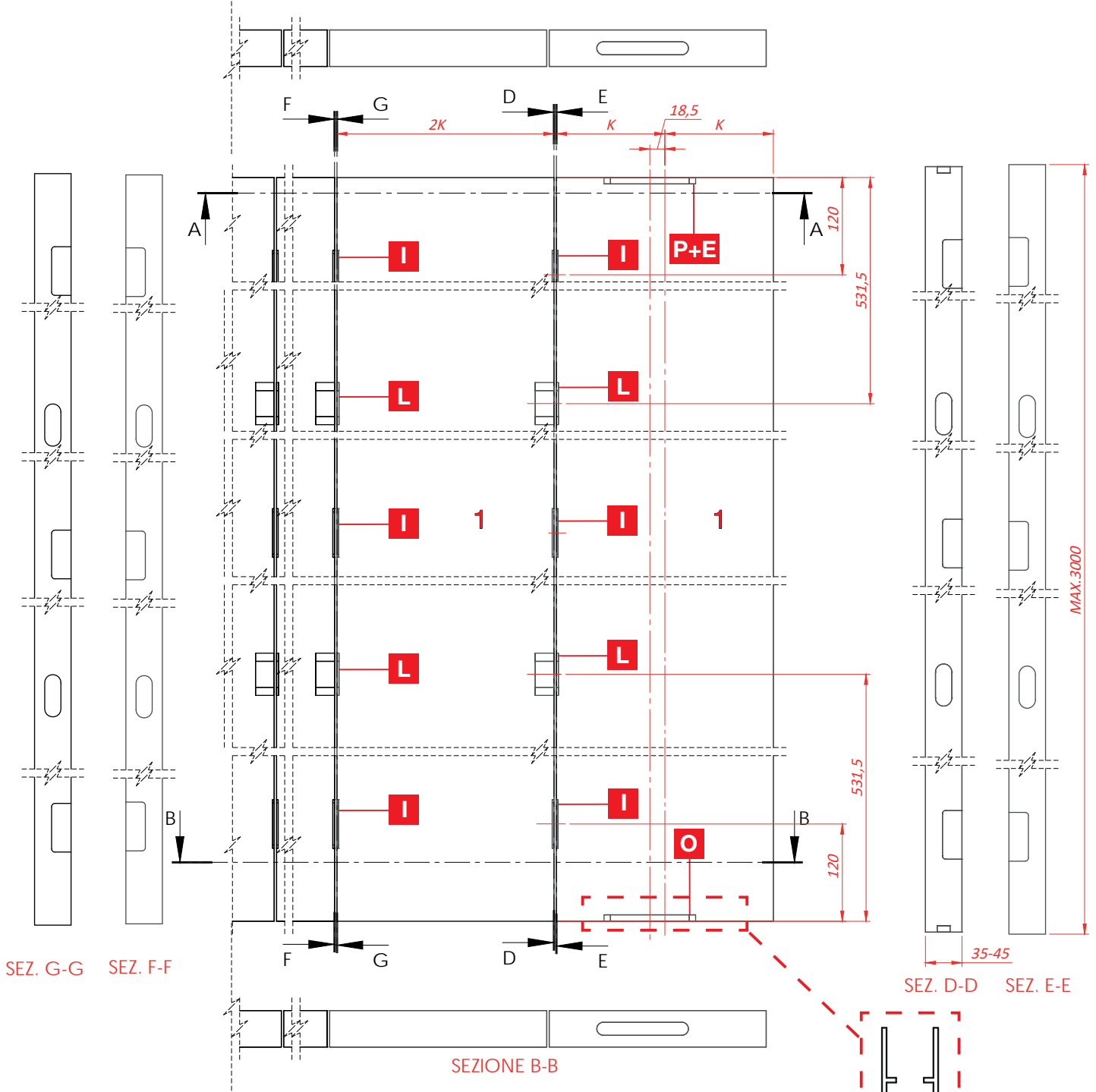
|          |            |                |
|----------|------------|----------------|
|          | H MAX.2400 | H = 2401- 3000 |
| <b>I</b> | x6         | x8             |
| <b>L</b> | x4         | x6             |



$$K = (V - 6 - 6 - A - A - A - 44) / 7$$



SEZIONE A-A



SEZ. G-G SEZ. F-F

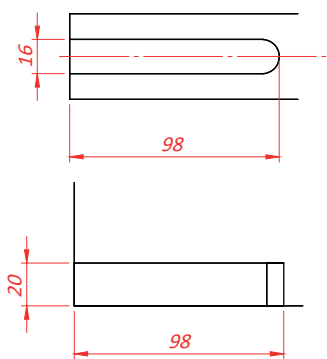
SEZ. D-D SEZ. E-E

SEZIONE B-B

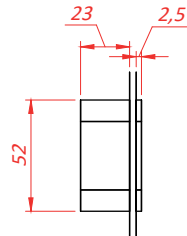
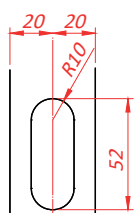
**F/C+A**

**N+C+A**

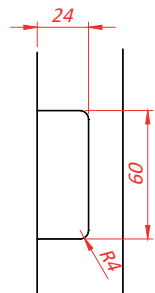
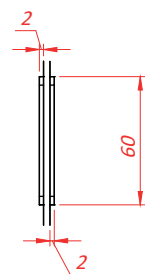
**A+B**



**L**

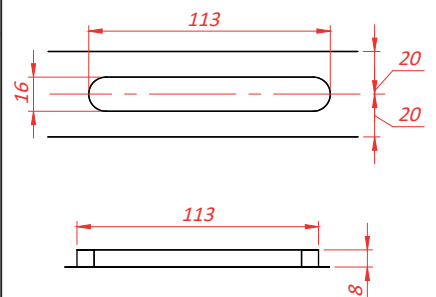


**I**



**P+E**

**O**



K.0583.1.5  
K.0584.1.5  
K.0583.2.5  
K.0584.2.5



Art.3137



Art.630



Art.3147

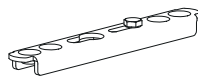


Art.1280



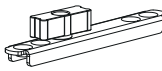
**E**

Art.3145



**O**

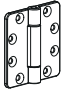

Art.3146

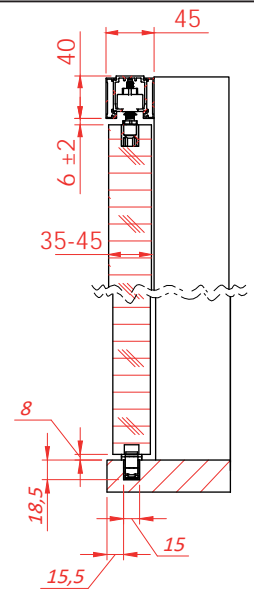
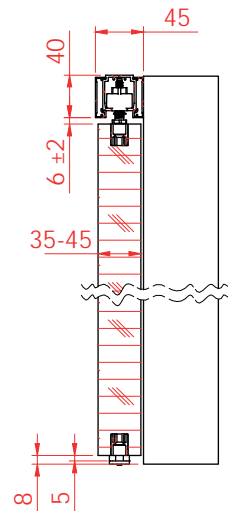
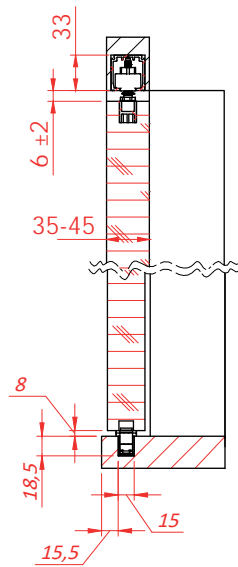
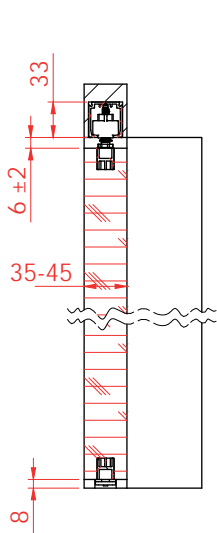
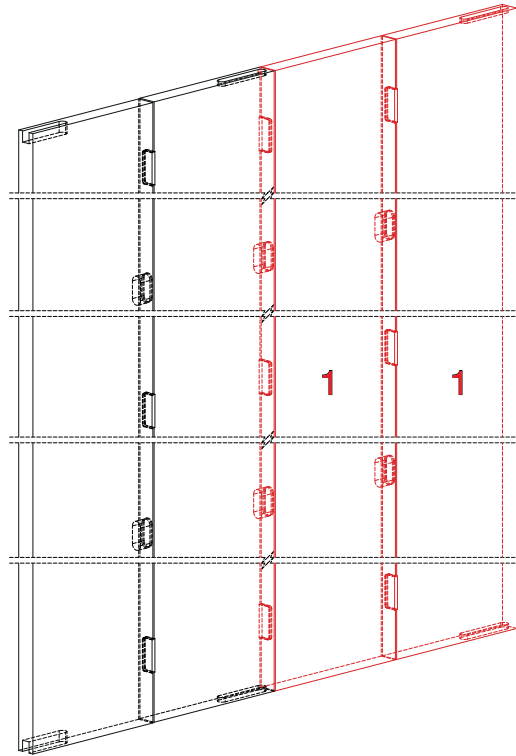


**P**

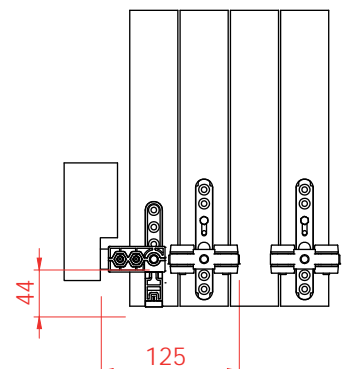
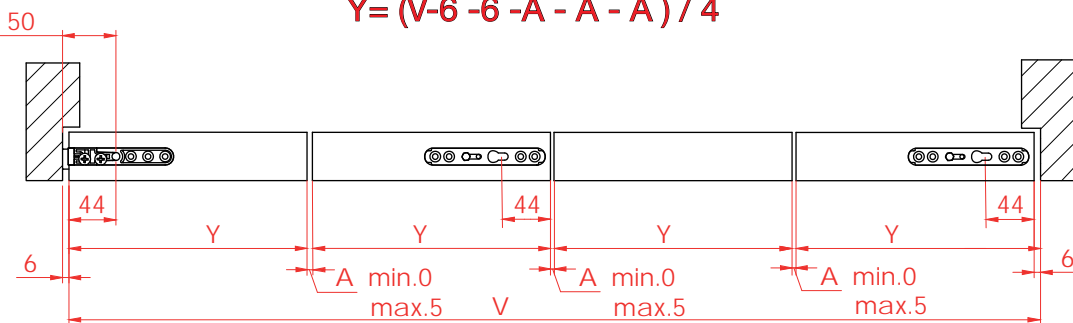
Art.3139



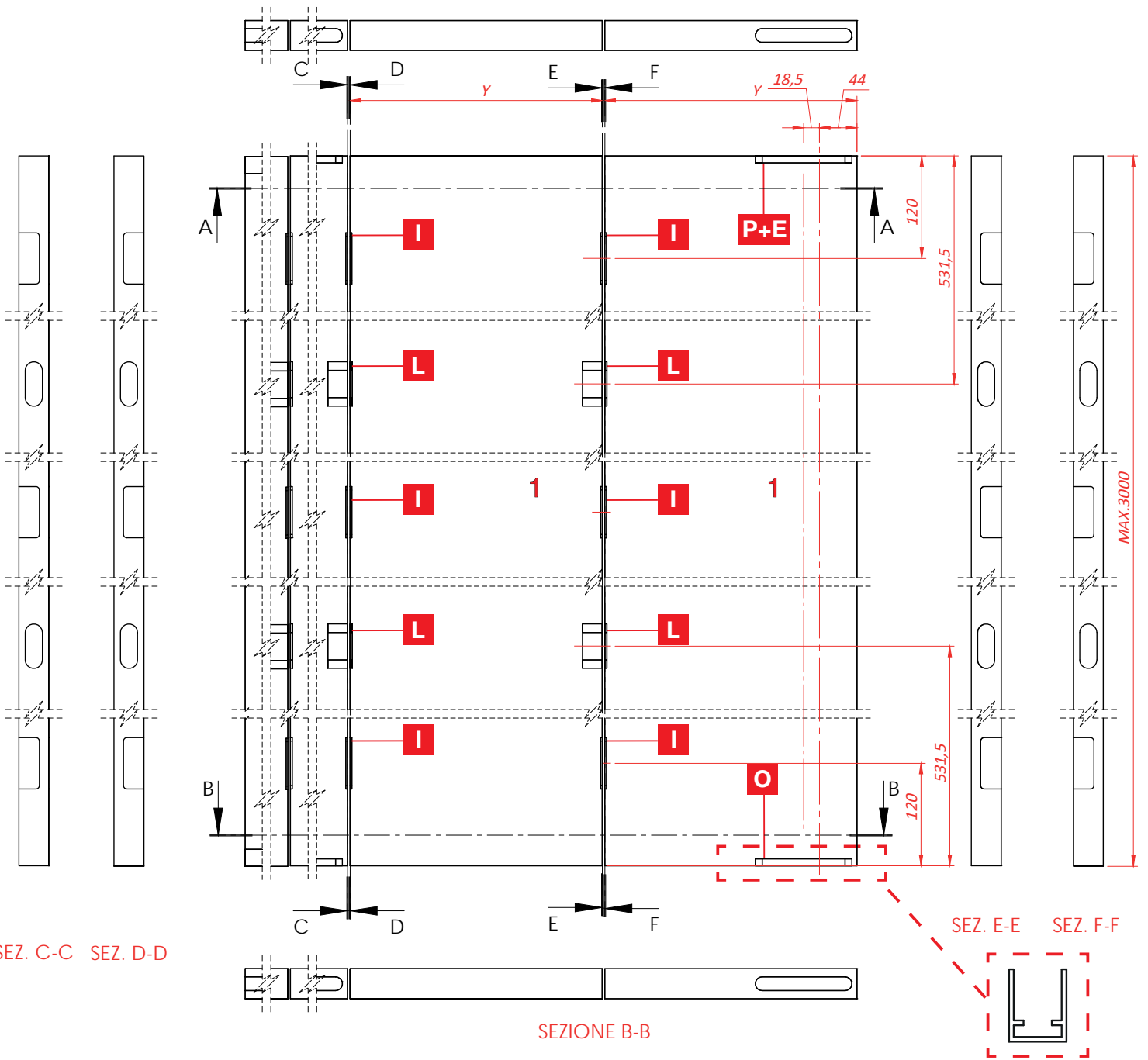
|  | H MAX.2400 | H = 2401- 3000 |
|--|------------|----------------|
| <b>I</b>  | x6         | x8             |
| <b>L</b>  | x4         | x6             |



$$Y = (V - 6 - 6 - A - A - A) / 4$$



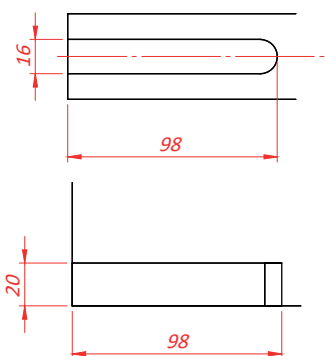
SEZIONE A-A



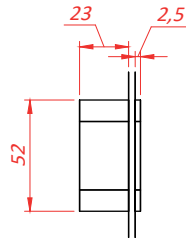
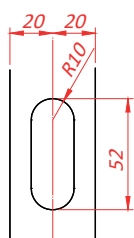
**F/C+A**

**N+C+A**

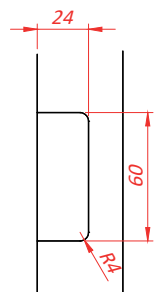
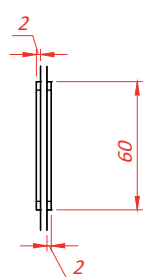
**A+B**



**L**



**I**



**P+E**

**O**

